

# FREE STAND

Stephan Copeland, USA



coalesse®





## Work Anywhere.

People value the freedom to choose where they work. In a lounge chair, cafe, office enclave, classroom or living room they need support for themselves and their mobile devices in relaxed postures.



————— Foldable, height adjustable and lightweight, Free Stand is a design-minded accessory that can go wherever you go. The work surface swivels 360 degrees to complement relaxed postures. The base allows Free Stand to work with almost any lounge chair or sofa.

————— When it is time to put work away, fold the work surface down to nest it against a chair or with other Free Stands. Take it one step further to lower the column and Free Stand slips easily underneath a sofa.

“If the object or tool you are using moves more freely, you are more likely to focus on your intent.”

— *Stephan Copeland*







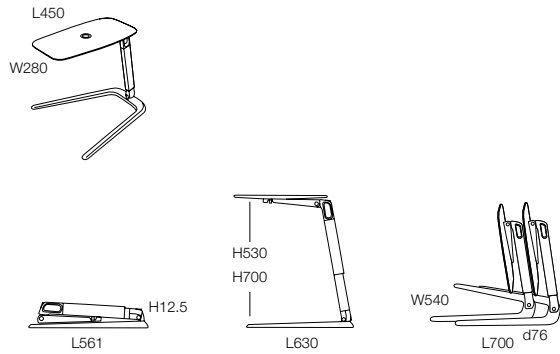
**PRODUCT SPECS**

*DETAILS*

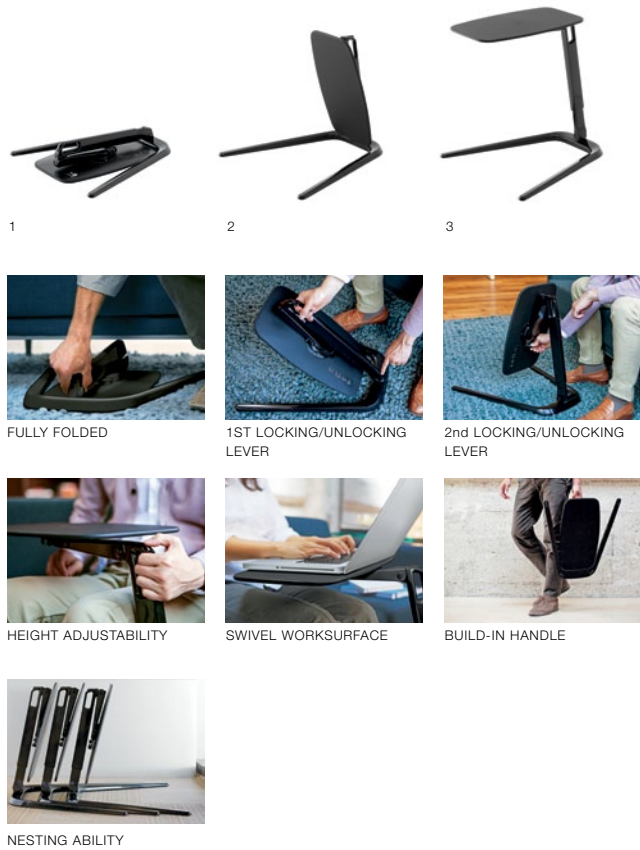
**Product Features**

From folded to in-use position in 3 steps, by activating 3 dedicated buttons. Once folded it measures only 12.5cm in height, and can be stored away underneath any sofa. Height-adjustable from H530 to H700mm. 360° rotating soft-touch work surface to adapt to any user's needs and postures. Can be easily transported with its built-in handle and feather-light weight of 5kg. When in class room, meeting or public spaces, the tablets can be smartly nested, allowing a saving of space. Available in powder coated monochrome black (worksurface in grained ABS plastic with soft touch). Free Stand can support a maximum load of 16kg. User instructions are shown underneath the worksurface.

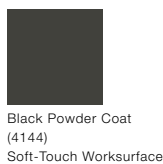
**Statement of Line**



**Product Features**



**Surface Materials**



Item # E0002051 12/14 ©2014 Steelcase. All specifications subject to change without notice. Trademarks used herein are the property of Steelcase Inc. or of their respective owners.